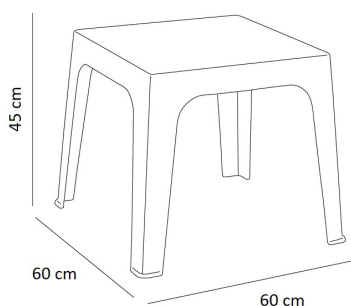


## TABLES MONACO

Designed by **Joan Gaspar**



### TABLES MONACO

Polypropylene monobloc side table. UV protection. Stackable. Net weight: 1,65 kg (3,63 lb).

#### TABLE FEATURES





**W** 60cm x **L** 60cm x **H** 45cm

**W** 23.63in x **L** 23.63in x **H** 17.72in

**Weight** 1,6 Kg. | **Stackable** 16 Units

STD units	Packaging dim. (cm)	Units Container 20'	Units Container 40'	Units Container HC	Units Trayler 70m <sup>3</sup>	Units Truck 100m <sup>3</sup>
5X	61 x 61 x 62	405	855	1140	990	1200
P16	80 x 120 x 120	768	1664	1760	2176	2560
P82	80 x 120 x 220	902	2050	2050	2788	3280

#### TABLETOP

	 Anthracite	 White	 Volcanic Gray	 Desert sand
60x60cm	